

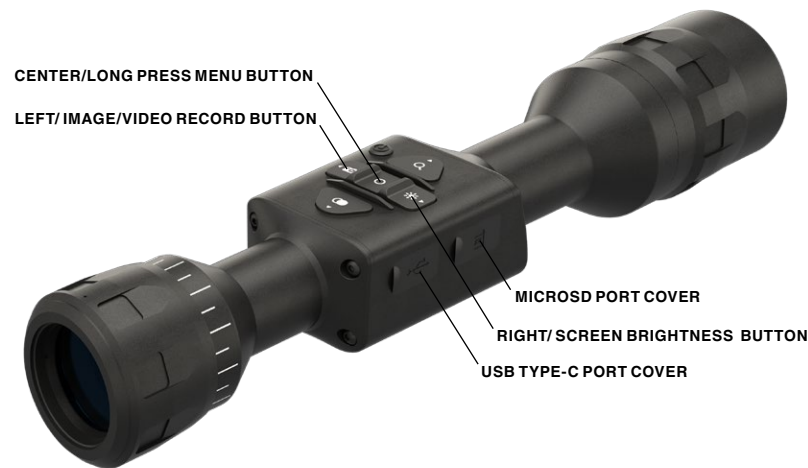
X-Sight LTV Series

DAY & NIGHT DIGITAL RIFLESCOPES



MANUAL





FEATURES

- DAY/NIGHT MODE
- RECORD HD VIDEO
- IMAGE CAPTURE
- ONE SHOT ZERO
- STEP ZOOM
- 3D GYROSCOPE
- 3D ACCELEROMETER
- MULTIPLE RETICLES
- USB TYPE C
- ULTRA LOW POWER CONSUMPTION
- ERGONOMIC DESIGN

APPLICATION

The latest in ATNs HD Optics. The ATN X-Sight LTV scopes are powered by the new revolutionary ATN Obsidian LT Core that is optimized for low power consumption, in a small and ergonomic form factor.

Vivid and crisp clarity during the day. Plus, amazing night time performance, delivered by the new QHD+ sensor.

We have slimmed down the feature offering in this model. Giving the user a simple no frills experience with a price point that's hard to beat. Record HD Videos, get on target fast with our One Shot Zero, hunt all night with a 10+ hour battery life. Mount on any platform with standard 30 mm rings.

ATN X-Sight LTV – the digital scope for the masses.

CAUTION!

THIS PRODUCT CONTAINS NATURAL RUBBER LATEX, WHICH MAY CAUSE ALLERGIC REACTIONS

The information in this manual is furnished for informational use only, is subject to change without notice, is not to be construed as a commitment by ATN Europe LTD. ATN Europe LTD assumes no responsibility or liability for any errors or inaccuracies that may appear in this book. ©2021 ATN Europe LTD. All right reserved.

SPECIFICATIONS

	X-Sight LTV 3-9x	X-Sight LTV 5-15x
Item #	DGWSXS309LTV	DGWSXS515LTV
Lens	30 mm	50 mm
Magnification	3-9x	5-15x
Sensor	ATN QHD+ M584 Sensor	
Sensor Resolution	2688 x1944 @ 60 fps	
Core	ATN Obsidian LT Core	
Micro Display	1280x720 px	
Eye relief	90 mm	
3D Gyroscope	Yes	
3D Accelerometer	Yes	
Night Vision Mode	Yes	
Video Record	Yes	
Reticles	Multiple Patterns	
Video Record Resolution	1280x720 px	
Miscro SD Card	4 Gb to 64 Gb	
USB, type C	Charging Port	
Mount	30 mm Standard Rings (included)	
IR Illuminator	Included	
Battery life (Li-ion)	≈10 hrs	
Battery type	Internal Lithium Ion Battery	
Waterproof rating / IP rating	Weather resistant	
Operating Temperature	-20°F to +120°F / -28°C to 48°C	
Dimensions (body only)	12.2"x2.2"x2.2" 310x55x55 mm	13"x2.2"x2.2" 330x55x55 mm
Weight	1.6 lb / 745 g	1.7 lb / 780 g
Warranty	2 years	

* ATN reserves the right to change the above specifications at any time without notice.

PREPARING THE DEVICE

UNPACKING

The following steps must be performed before using the device:

1. Open packaging box, remove X-Sight LTV and check the contents.
 - Eyecup
 - Scope Cover
 - USB-C cable
 - IR Illuminator
 - Standard Rings
 - Manual
 - Cloth
2. Make sure that nothing is missing.
3. Inspect the device for damage to optical surfaces, body, eyecups, operation buttons, etc.
4. Ensure that all optical surfaces are clean and ready for use.

NOTE

If any accessories are missing or broken contact ATN Europe LTD's Customer Service at support@atneu.com.

CHARGING THE DEVICE

The device is equipped with a USB (type C) port for charging. You will find it under the rubber cap on the right side of the device.

We have included a USB (type C) charging cable with your scope. Plug the cable into a USB wall charger that has an output of 2 amps (Wall Charger not included).

Charge your scope for 6 hrs using a 2 A USB wall charger. Note using a wall charger with lower amperage will take longer to charge your scope.

1. Recommended charger is 2 A USB charger.
2. Battery charging time (from 0 to 100%) is 6 hours with 2 A USB charger.
3. Battery run time is 10 hours on a single charge.

ON/OFF

To Turn On the device press and hold power button until you hear a click (3-5 seconds). ATN logo screen will appear then image.

To Turn Off the device press and hold the Power button.

If the scope freezes or stops responding to the control panel. Press and hold the Power button for 3-5 seconds wait 5-10 seconds and to Turn On the device.

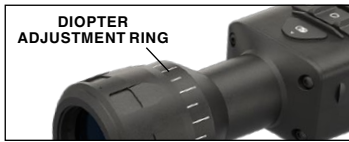


USING YOUR KEYPAD

The keypad is programmed to be used in two different ways:

- Short and Quick Taps — used for most functions and to navigate the menu.
- Press and Hold — designed to be used in the following situations — On/Off, Menu, Night Vision Mode.





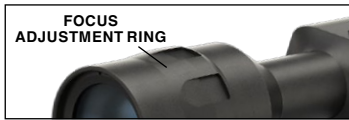
FOCUSING

DIOPTER ADJUSTMENT

By rotating the Diopter Adjustment Ring you will achieve optimal sharpness for your vision. Look through the eyepiece, focusing on the reticle and widgets on the screen. Rotate the diopter adjustment until the reticle and widgets are perfectly sharp in appearance.

NOTE

Once the Diopter Adjustment is set to your liking, adjustment will not need to be performed unless another user altered the focus for their needs.



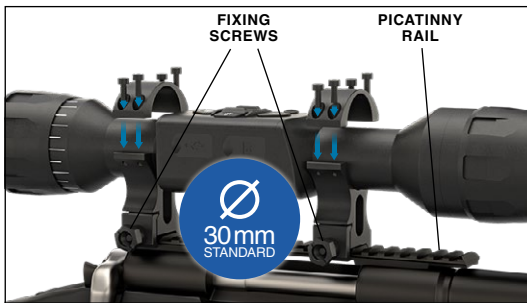
DISTANCE FOCUS

Rotate the Adjustment Ring, as necessary, to achieve the proper focus at various distances.

MOUNTING YOUR SCOPE

CAUTION!

Make sure your weapon is not loaded. Use safe weapon handling procedures at all times.



The X-Sight LTV has a 3.5-inch eye relief, and can be mounted using 30 mm mounting rings. Place the scope on the bottom half of the rings you just mounted to the weapon's rail, verifying you have sufficient eye relief for your platform. Place the top portion of your ring over the mounted bottom portion, make sure the holes align and the screws

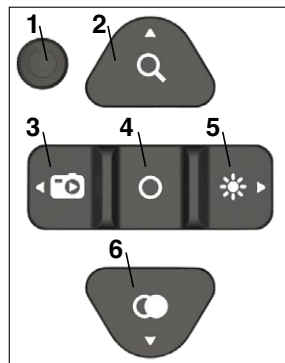
turn easily. Apply equal torque to all screws. Make sure your rings are tight on your rifles rail and will not come loose due to recoil.

INTERFACE

MAIN OPERATIONS

OPERATION WITH KEYPAD

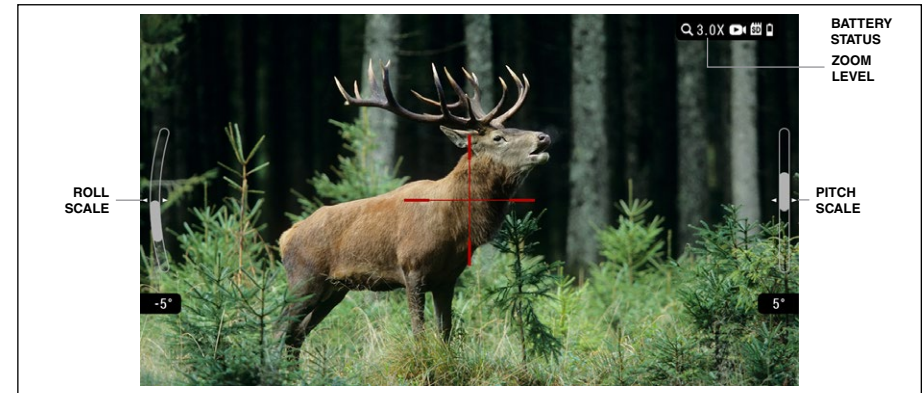
1. On/Off button; A long press of this button (3–5 seconds) will either power on the unit or power off the unit, depending on the current status of the scope.
2. Up button; A short press of this button will cycle you through your change in zoom (3-5.4-7.2-9x or 5-9-12-15x).
3. Left button; A short press activates Video recording, pressing the Left button again turns off Video recording. Pressing and holding the Left Button will also toggle the function from Video to Image capture or back to Video.
4. Center button. Pressing the Center Button will open the Menu.



5. Right button; A short press will allow you to change the display brightness (1 → 2 → 3 → 1).
6. Down button; A long press will cycle from Day mode to Night mode. Once in Night mode, you can adjust the light sensitivity of the Night Vision by short press of the Down button. Night Mode has three settings: Auto, High and Low:
 - Auto Mode allows the sensor to dynamically adjust to ambient light conditions.
 - High Mode tells the sensor there is too much ambient light.
 - Low Mode tells the sensor there is very little ambient light.

HOMESCREEN

The first screen you'll see after turning on the device is the Homescreen. It consists of Scales, Status Bar icons and different Information Widgets.



SCALES

- Roll Scale shows the rifles cant based on internal 3D Gyroscope.
- Pitch Scale shows rifle inclination based on internal 3D Gyroscope.

MENU

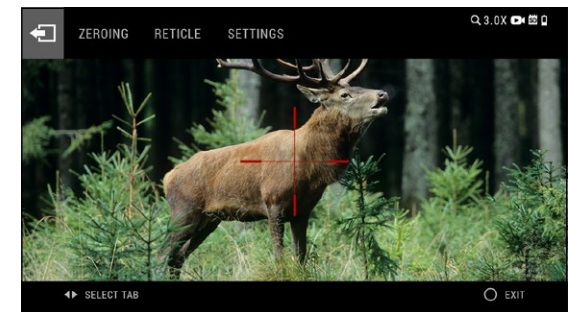
To open the Menu, perform a press of the OK button until you see the Menu appear on the Top of the screen. You will see the following Icons:

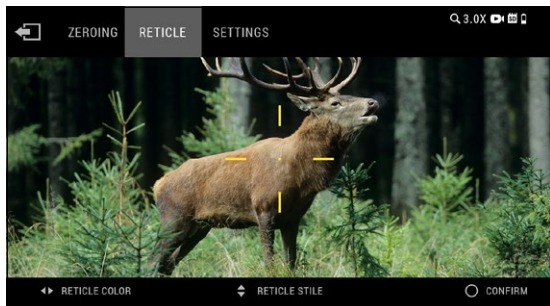
ZEROING. This option gives you access to the One Shot Zero, in order to Zero your reticle to your weapon.

RETICLE. This option allows you to select one of six reticles available in the scope. Also, you can change the reticle color in this menu.

SETTINGS. In this menu you will find various settings that you can adjust in your scope:

- Sleep Mode
- Display Widgets
- Date and Time
- Language
- SD Card
- Factory Settings.





RETICLE

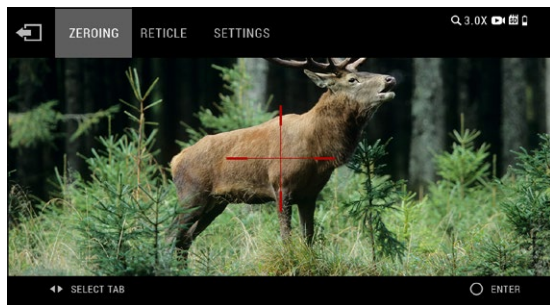
Reticle Style

Once in the Menu screen, use the Right button to select the Reticle menu. Short press the Center button to go to Reticle options. Use the Up or Down button to cycle through the Reticle options. Once you find the Reticle you intend to use, short press the Center

button to confirm your selection. You have a selection of 6 different reticles.

Reticle Color

In order to change the Color of the reticle. Short press the Center button while the Reticle menu is selected. Use the Right or Left button to cycle through the Color options. Once you reach the Color you like short press the Center button to confirm the selection.



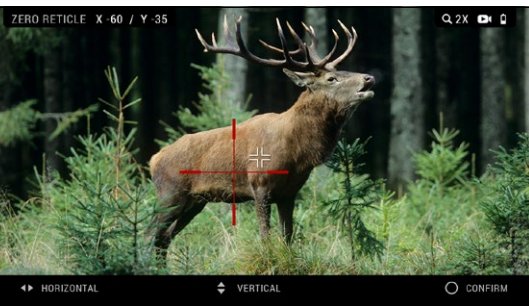
ZEROING

NOTE

You should first format the micro SD card in your scope before Zeroing or Recording initially.

We recommend using a boresight device in order to get on target faster. Once the scope is aligned with a boresight, follow the One Shot Zero procedure in order to Zero the scope to your weapon.

To Zero your scope you will need to go to the Zeroing section of the Menu. Press the Center button until the menu appears on top of the display. Use the Right button to navigate to the Zeroing option in the menu.



Press the Center button to enter zero mode.

You will see on your display two reticles. One will move via use of your keypad, the other will remain stationary. While keeping the gun as steady as possible, fire a round. Using the key pad, move the red reticle to the point of impact while keeping the white reticle on the original point of aim at which you fired the shot. Once you have placed the center of the red reticle on the POI, short press the Center button to save the zero. If you feel confident that you have the best possible zero, use the Left button to navigate to the exit symbol to the left. Short press the Center button to exit the menu and return to the Homescreen. If you need to fine tune the zero you can refer to the previous instructions to fine tune the zero. During the zeroing process the reticle coordinates are displayed in the upper left corner in the form of X | Y. At base magnification, the reticle coordinates move by one pixel per click.

NOTE

Although you may not need more than one shot to Zero your scope, we do recommend that you fire additional shots once the initial zero process is complete to insure the optic and weapon are truly Zeroed. If additional corrections need to be made to fine tune the zero, then make those corrections as needed.

RECORD VIDEO / IMAGE CAPTURE

NOTE

You should first format the micro SD card in your scope before Zeroing or Recording initially.

The X-Sight LTV records in stunning HD quality all your latest adventures no matter the time of day or night. Giving you a simple yet powerful scope that records hours of video on to a removable micro SD card. Make sure you obtain a micro SD card that is 4 to 64Gb that is a class 10 SDHC type card.

In order to activate Video recording, short press the Left button to start recording. Short press the Left button again to stop recording.

In order to activate image capture. Press and hold the Left arrow button to toggle the function from Video Recording to Image Capture. Once you switch from Video Recording to Image Capture. You can take HD quality images by short pressing the Left arrow button. In order to use Video Capture mode once again. You would Press and Hold the Left arrow button once again to toggle the setting to Video Record. When you toggle from Video to Image capture, you will see the Icon change on the Homescreen. Giving you an indication of which mode you are currently using.

NOTE

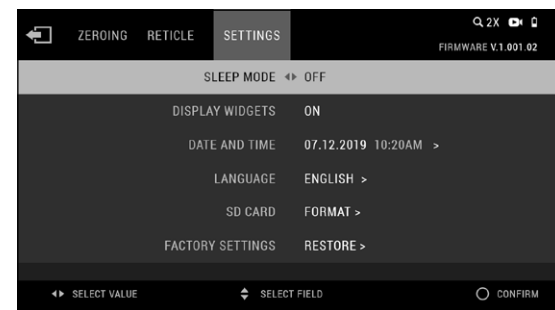
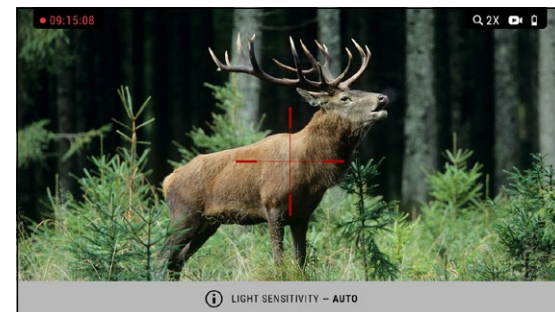
When you see the SD card icon flash red that indicates that data is being transferred to the SD card. Do not attempt to remove the SD card during this phase or it may corrupt the data and the SD card. Wait for the SD card icon to stop flashing before removing the SD card.

SETTINGS

SLEEP MODE — Sleep mode enables your system to go into Standby mode to conserve power. When activated your scope will automatically go to sleep mode when it doesn't sense movement for a preset time you select.

You can set Sleep Mode from 5 to 30 min. Once the scope senses movement it will exit Sleep Mode.

DISPLAY WIDGETS — Display Widgets allow you to turn On or Off the Roll and Pitch scales.



DATE AND TIME — Date and Time allows you to set your Date and Time of your scope and select 12H or 24H time format.

LANGUAGE — This setting allows the selection of the Language that is used for the menus of the scope: English, Polish, Russian, German, Italian, Bulgarian and Spanish.

SD CARD — This option is to format your micro SD card which is used for Video recording. We recommend using a 4 to 64Gb micro SD card that is a class 10 and an SDHC type. Please perform this procedure before Zeroing or Recording Videos for the first time.

FACTORY SETTINGS — This option resets the scope to factory settings, all changes will be restored to initial settings and Zero will be lost. Please write down your Zero X/Y coordinates before performing this function.

WARNINGS AND CAUTIONS

- Always remember to turn off the device when it is not in use.
- Do not disassemble, drop, open, crush, bend, deform, puncture, shred, microwave, incinerate, paint or insert foreign objects: it will void your warranty.
- Keep the scope in the provided protective cover when not in use.
- Avoid contact with dust, steam, and gas.
- This product contains natural rubber latex which may cause allergic reactions.
- The scope is a precision electro-optical instrument and must be handled carefully.
- Do not scratch the external lens surfaces or touch them with your fingers.

CAUTION

Failure to follow these safety instructions could result in damage to the device!

2 YEAR PRODUCT WARRANTY

This product is guaranteed to be free from manufacturing defects in material and workmanship under normal use for a period of 2 (two) years from the date of purchase. In the event a defect that is covered by the foregoing warranty occurs during the applicable period stated above, ATN Europe LTD, at its option, will either repair or replace the product, and such action on the part of ATN Europe LTD shall be the full extent of ATN Europe LTD's liability, and the Customer's sole and exclusive remedy. This warranty does not cover a product (a) used in other than its normal and customary manner; (b) subjected to misuse; (c) subjected to alterations, modifications or repairs by the Customer or by any party other than ATN Europe LTD without prior written consent of ATN Europe LTD; (d) special order or "close-out" merchandise or merchandise sold "as-is" by either ATN Europe LTD or the ATN Europe LTD dealer; or (e) merchandise that has been discontinued by the manufacturer and either parts or replacement units are not available due to reasons beyond the control of ATN Europe LTD. ATN Europe LTD shall not be responsible for any defects or damage that in ATN Europe LTD's opinion is a result from the mishandling, abuse, misuse, improper storage or improper operation, including use in conjunction with equipment which is electrically or mechanically incompatible with or of inferior quality to the product, as well as failure to maintain the environmental conditions specified by the manufacturer. This warranty is extended only to the original purchaser. Any breach of this warranty shall be waived unless the customer notifies ATN Europe LTD at the address noted below within the applicable warranty period. The customer understands and agrees that

except for the foregoing warranty, no other warranties written or oral, statutory, expressed or implied, including any implied warranty of merchantability or fitness for a particular purpose, shall apply to the product. All such implied warranties are hereby and expressly disclaimed.

LIMITATION OF LIABILITY

ATN Europe LTD will not be liable for any claims, actions, suits, proceedings, costs, expenses, damages or liabilities arising out of the use of this product. Operation and use of the product are the sole responsibility of the Customer. ATN Europe LTD's sole undertaking is limited to providing the products and services outlined herein in accordance with the terms and conditions of this Agreement. The provision of products sold and services performed by ATN Europe LTD to the Customer shall not be interpreted, construed, or regarded, either expressly or implied, as being for the benefit of or creating any obligation toward any third party of legal entity outside ATN Europe LTD and the Customer; ATN Europe LTD's obligations under this Agreement extend solely to the Customer. **ATN Europe LTD's liability hereunder for damages, regardless of the form or action, shall not exceed the fees or other charges paid to ATN Europe LTD by the customer or customer's dealer. ATN Europe LTD shall not, in any event, be liable for special, indirect, incidental, or consequential damages, including, but not limited to, lost income, lost revenue, or lost profit, whether such damages were foreseeable or not at the time of purchase, and whether or not such damages arise out of a breach of warranty, a breach of agreement, negligence, strict liability or any other theory of liability.**

PRODUCT WARRANTY REGISTRATION

In order to validate the warranty on your product, ATN Europe LTD must receive a completed Product Warranty Registration Card for each unit or complete warranty registration on our website at www.atneu.com. Please complete the included form and immediately mail it to our Service Center: ATN Europe LTD, Bulevard Tsarigradsko shosse 7-11 km. Parking lot of METRO 1 store, Sofia Bulgaria 1784.

OBTAINING WARRANTY SERVICE

To obtain warranty service on your unit, End-user must notify ATN Europe LTD service department by calling +359 884974545 or via e-mail support@atneu.com to receive a Return Merchandise Authorization number (RMA).

Merchandise Authorization number (RMA).

When returning please take or send the product, postage paid, with a copy of your sales receipt to our service center, ATN Europe LTD at the address noted above. All merchandise must be fully insured with the correct postage; ATN Europe LTD will not be responsible for improper postage or, missing or damaged merchandise during shipment.

When sending product back, please clearly mark the RMA# on the outside of the shipping box. Please include a letter that indicates your RMA#, Name, Return Address, reason for service return, Contact information such as valid telephone numbers and/or e-mail address and proof of purchases that will help us to establish the valid start date of the warranty. Product merchandise returns that do not have an RMA listed may be refused or a significant delay in processing may occur.

Estimated Warranty service time is 10-20 business days. End-user/customer is responsible for postage to ATN Europe LTD for warranty service. ATN Europe LTD will cover return postage/shipping to European Union countries end-users/customers after warranty repair only if product is covered by aforementioned warranty. ATN Europe LTD will return product after warranty service by domestic TNT ground and/or domestic mail. Any other requested, required or international shipping method the postage/shipping fee will be the responsibility of the end-user/customer.



For customer service and technical support, please contact

ATN Europe LTD

Plovdiv, Vasil Levski str. 52

Bulgaria

Tel. 00359 884 974545

support@atneu.com

atneu.com